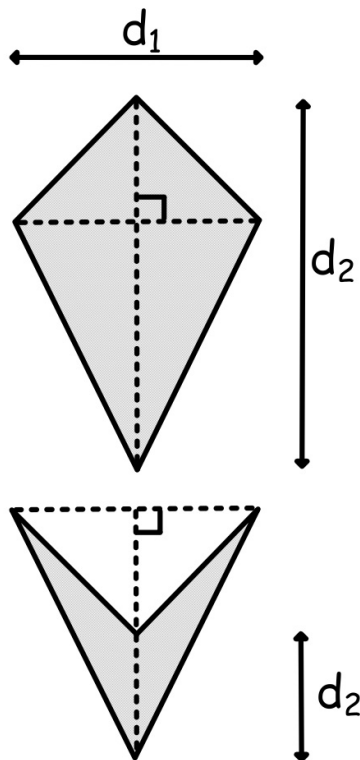
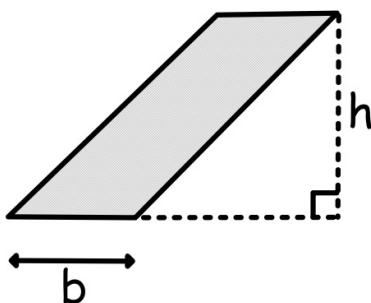


AREA OF QUADRILATERALS

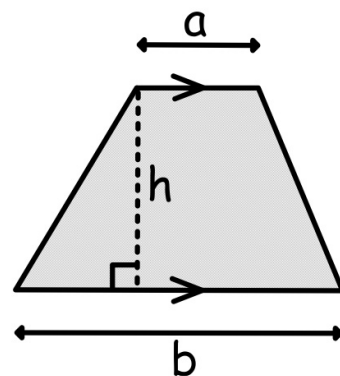
$$A = \frac{1}{2} d_1 d_2$$



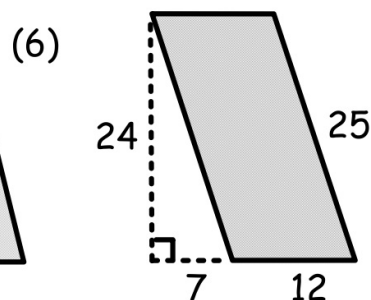
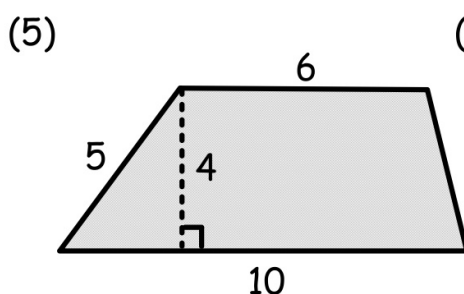
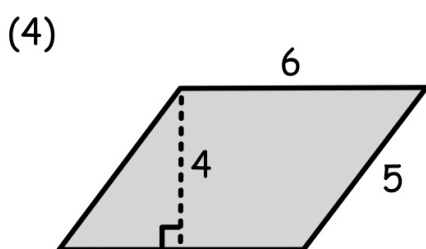
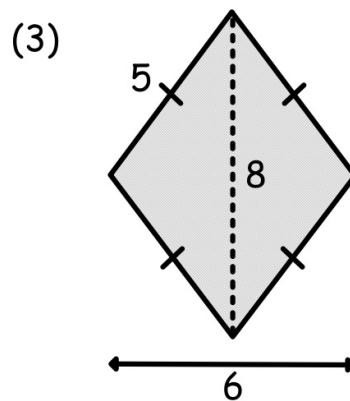
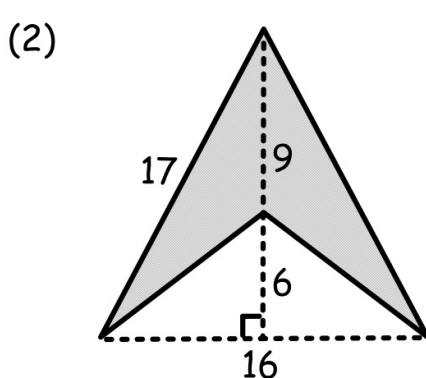
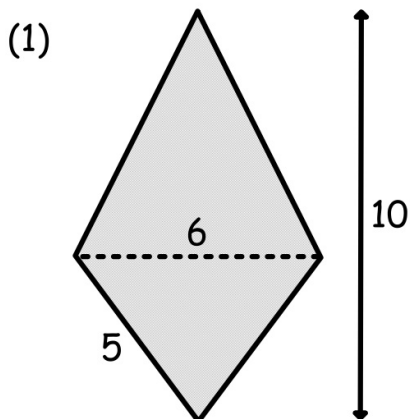
$$A = bh$$



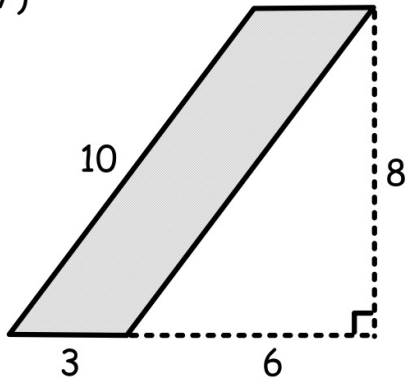
$$A = \frac{1}{2} h(a+b)$$



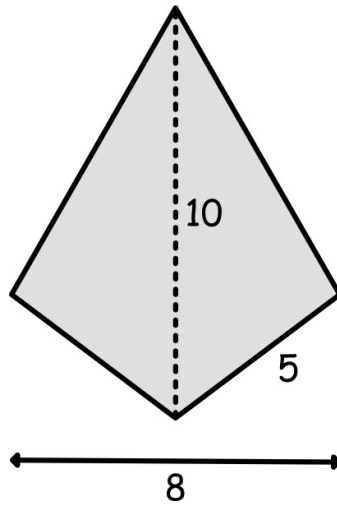
Use the appropriate formula to calculate the area of each shape.
 (Note that more figures than needed may be given)



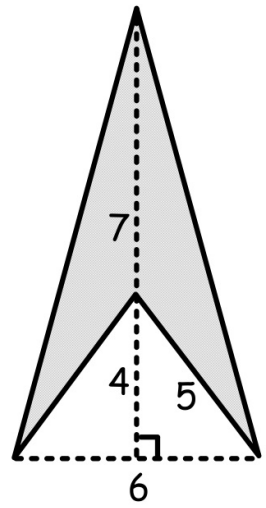
(7)



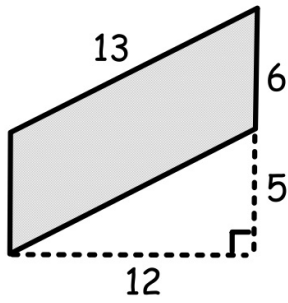
(8)



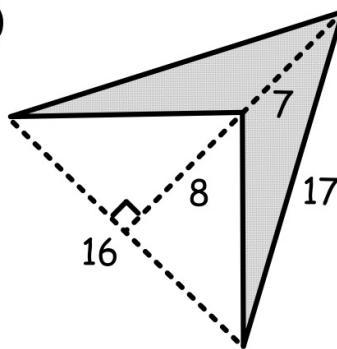
(9)



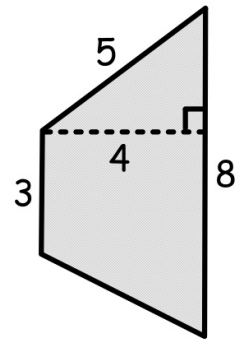
(10)



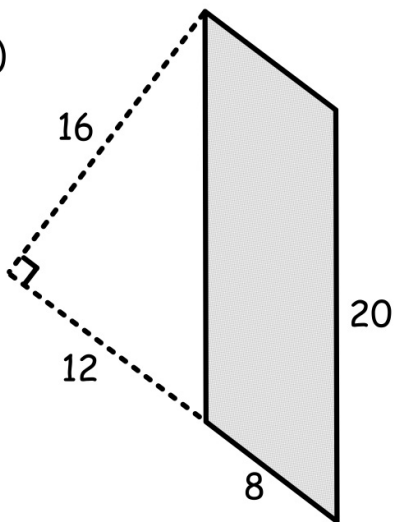
(11)



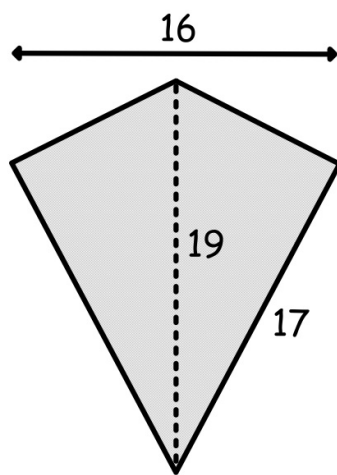
(12)



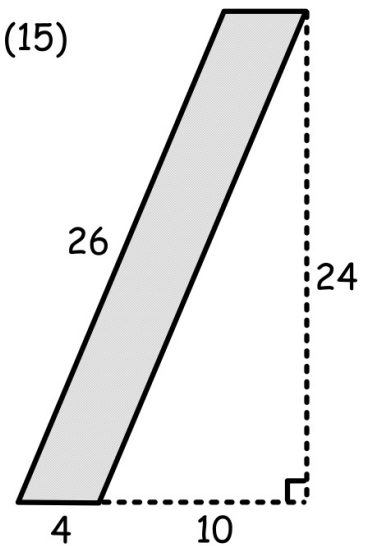
(13)



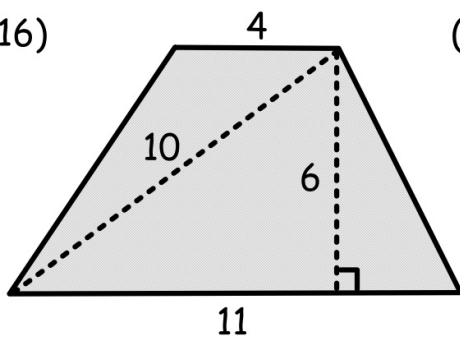
(14)



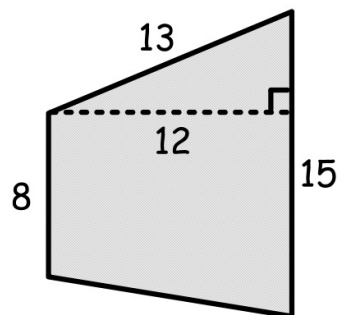
(15)



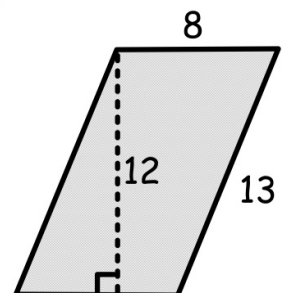
(16)



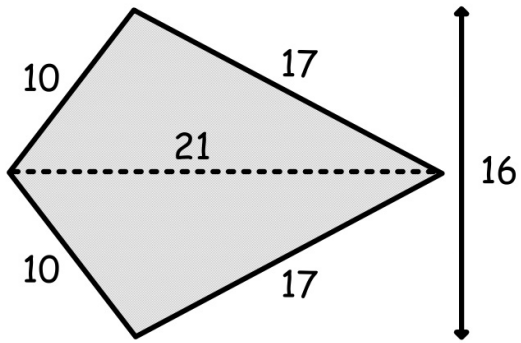
(17)



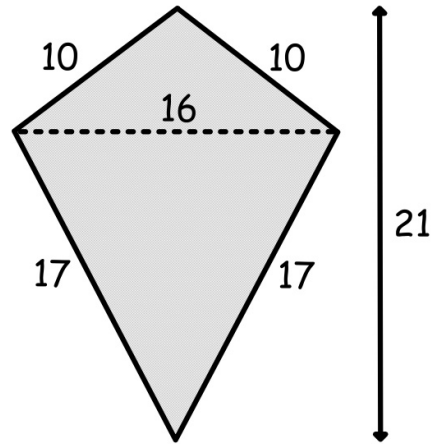
(18)



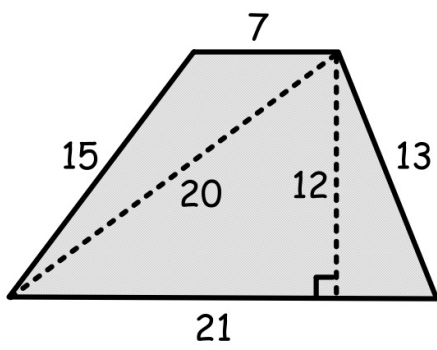
(19)



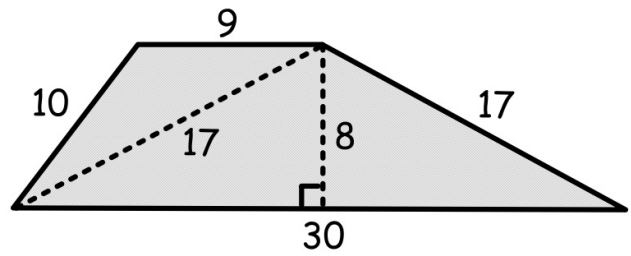
(20)



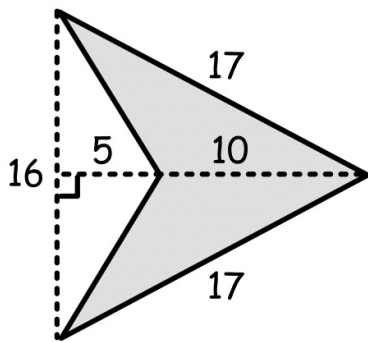
(21)



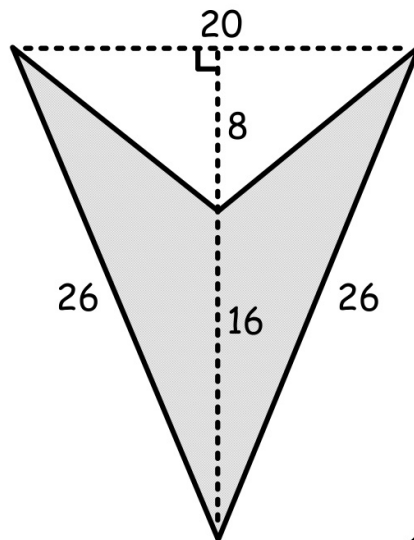
(22)



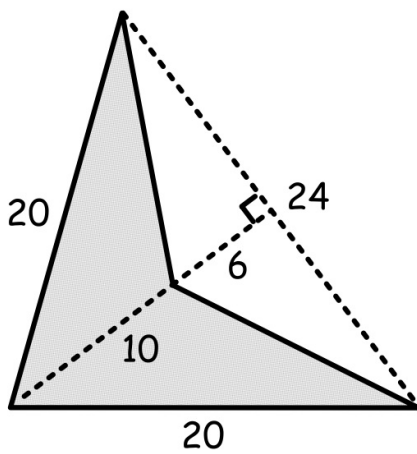
(23)



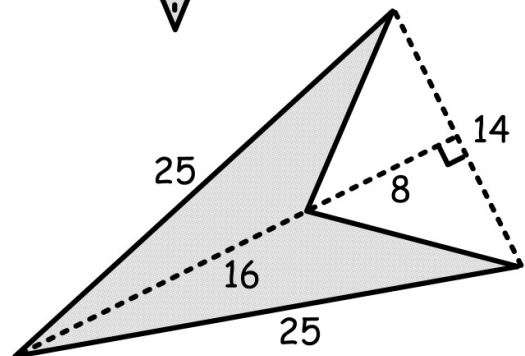
(24)



(25)

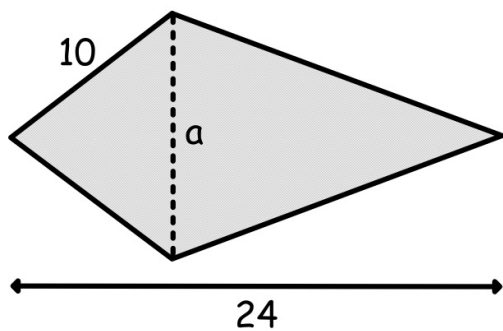


(26)

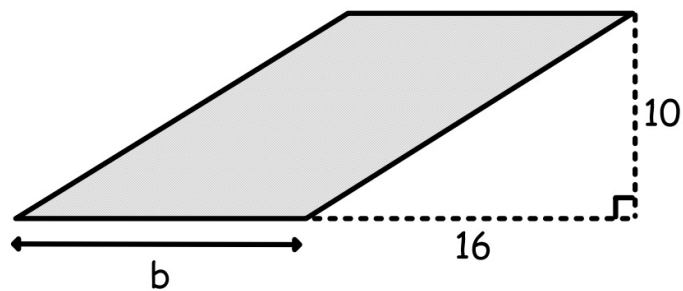


Given the area of each shape, calculate the missing dimension.

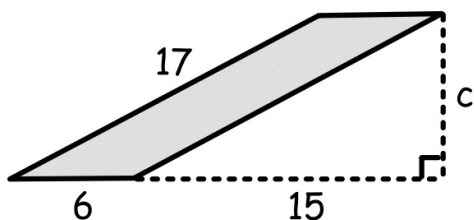
(27) area 144 units^2



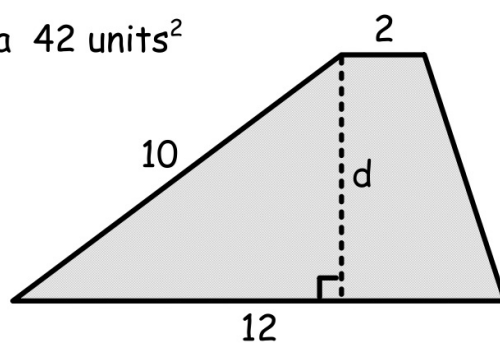
(28) area 140 units^2



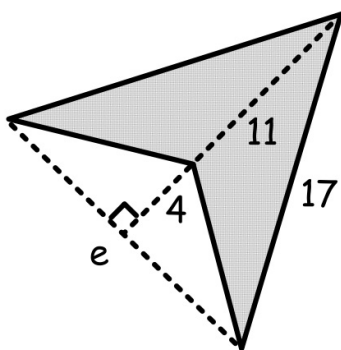
(29) area 48 units^2



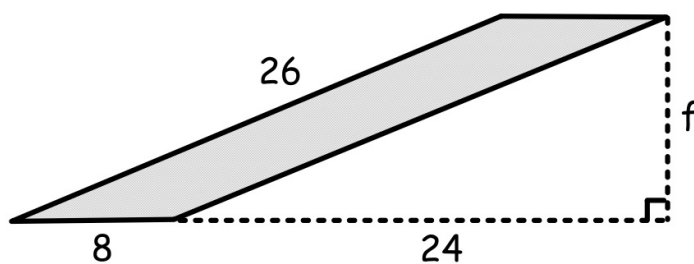
(30) area 42 units^2



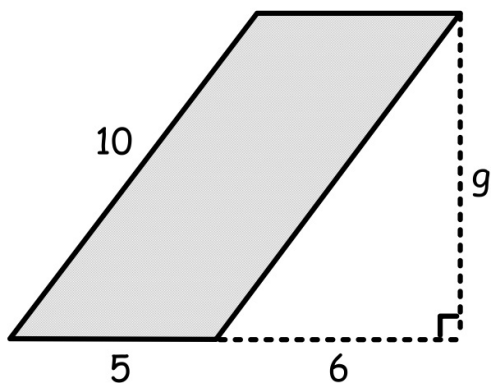
(31) area 88 units^2



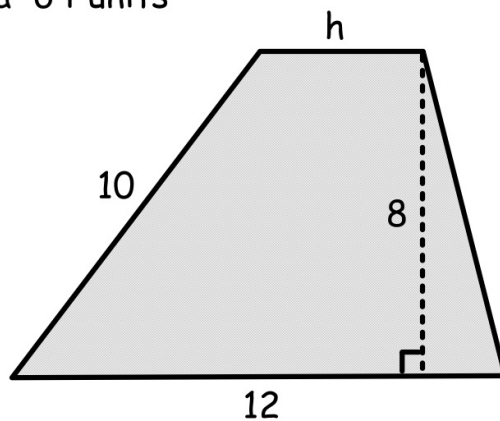
(32) area 80 units^2



(33) area 40 units^2

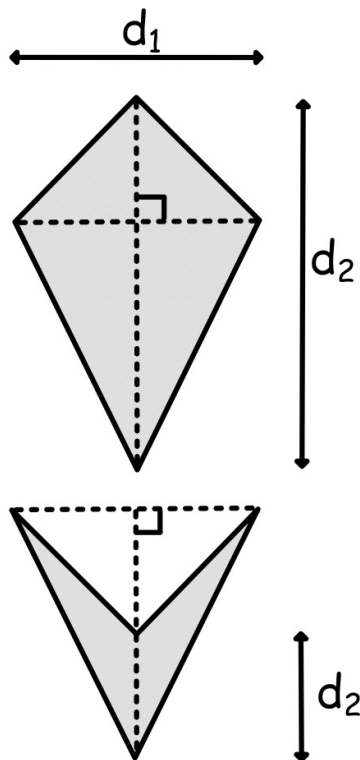


(34) area 64 units^2

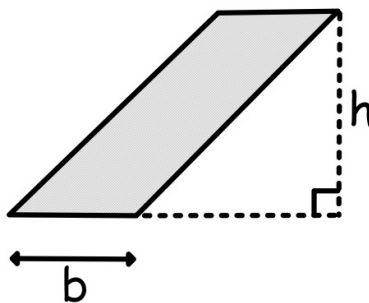


AREA OF QUADRILATERALS

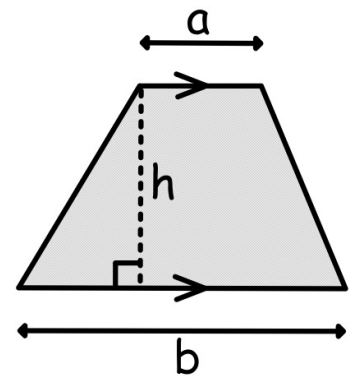
$$A = \frac{1}{2} d_1 d_2$$



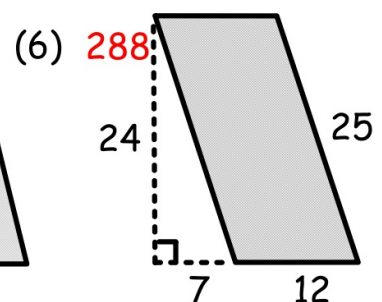
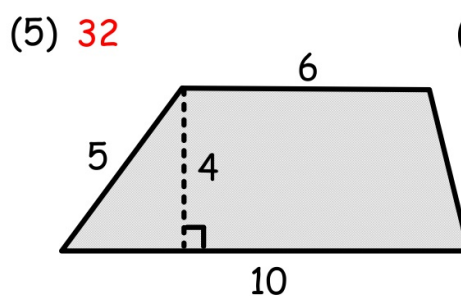
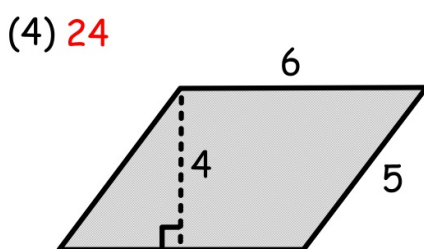
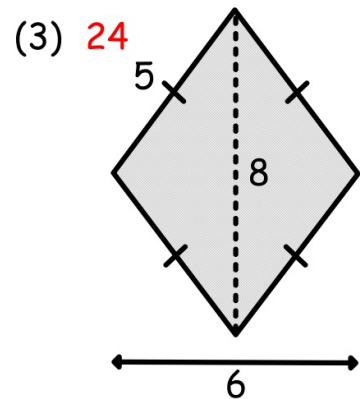
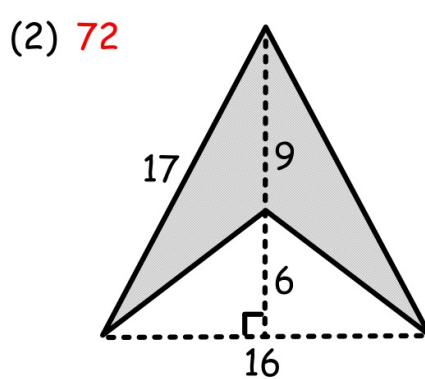
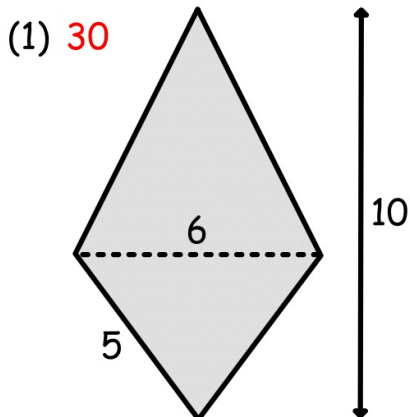
$$A = bh$$



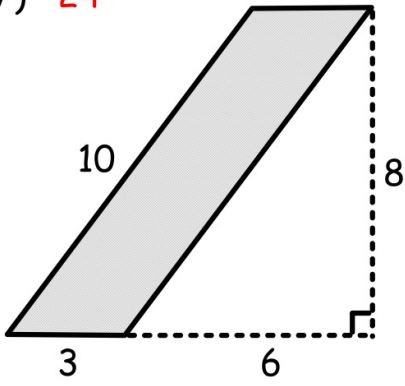
$$A = \frac{1}{2} h(a+b)$$



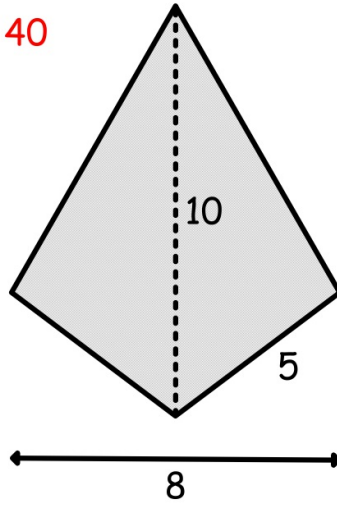
Use the appropriate formula to calculate the area of each shape.
(Note that more figures than needed may be given)



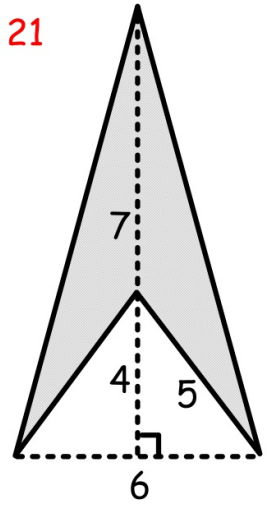
(7) 24



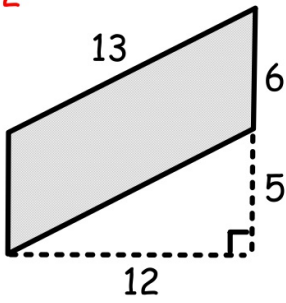
(8) 40



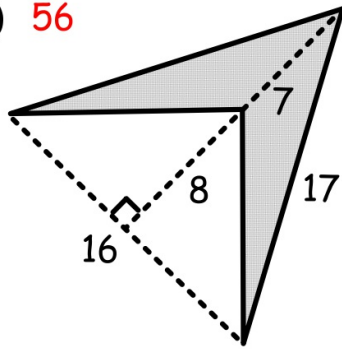
(9) 21



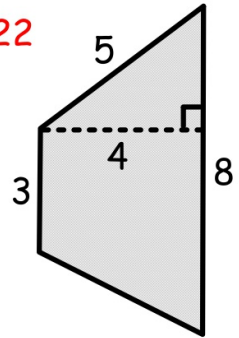
(10) 72



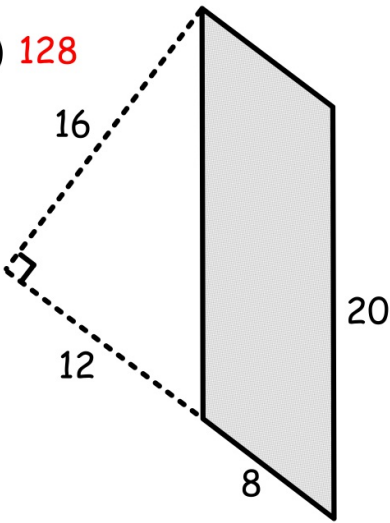
(11) 56



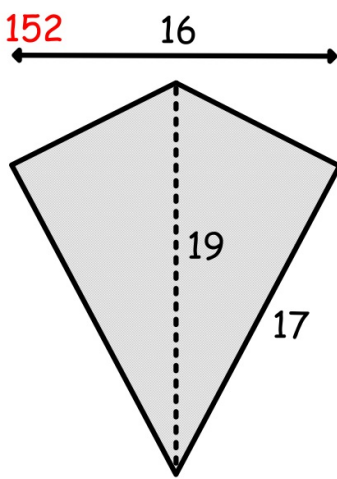
(12) 22



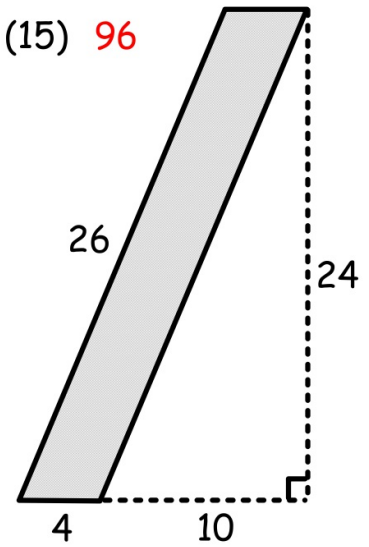
(13) 128



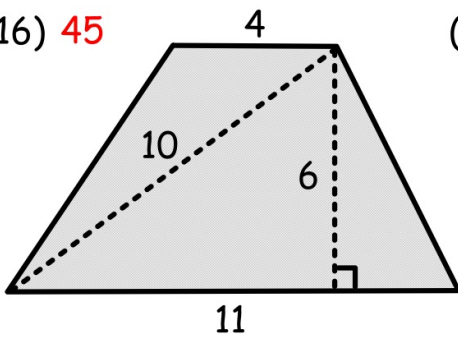
(14) 152



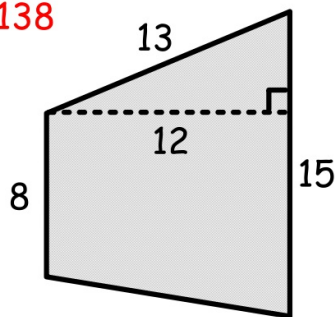
(15) 96



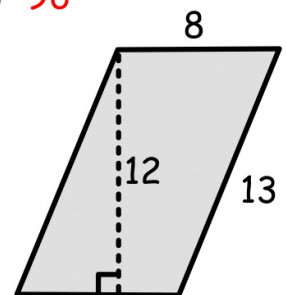
(16) 45



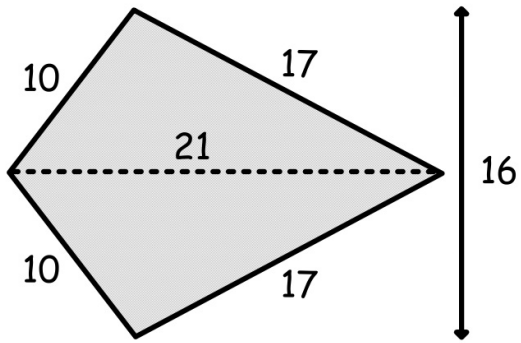
(17) 138



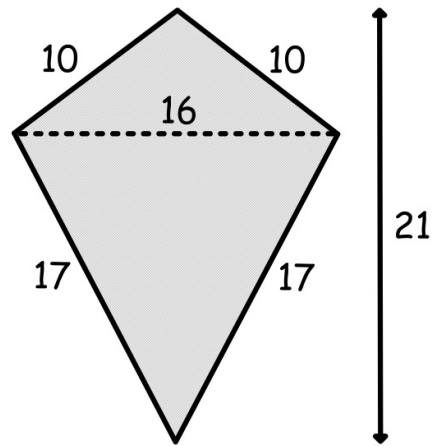
(18) 96



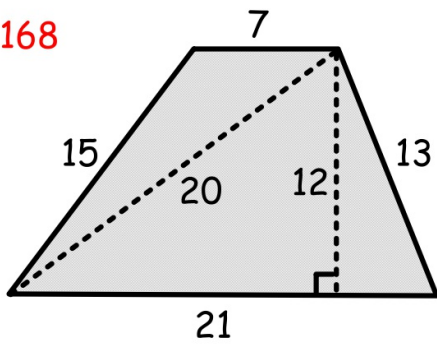
(19) 168



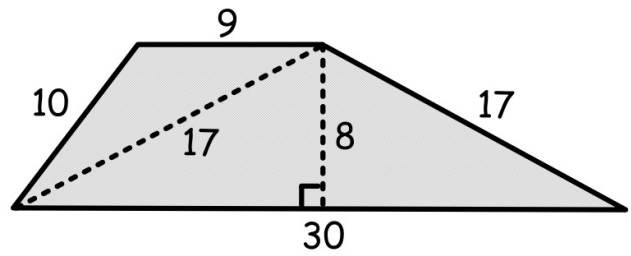
(20) 168



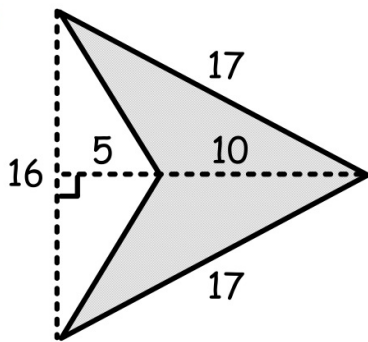
(21) 168



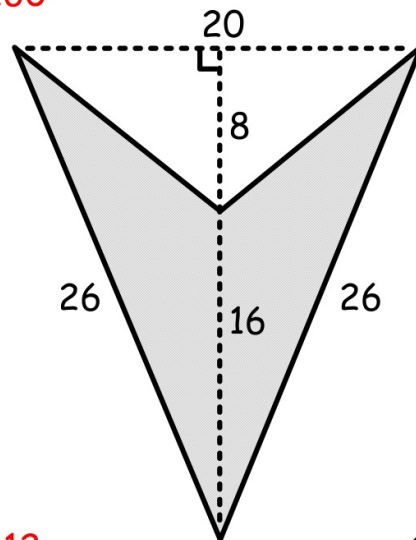
(22) 156



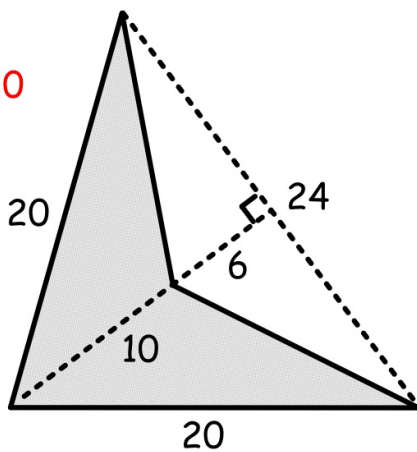
(23) 80



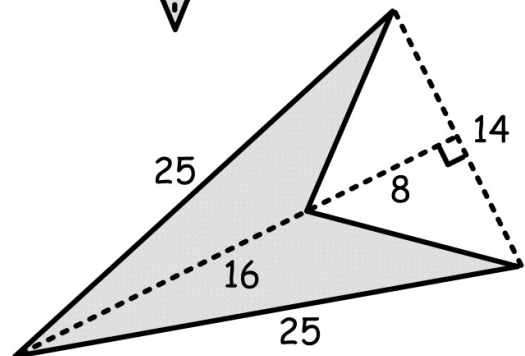
(24) 160



(25) 120

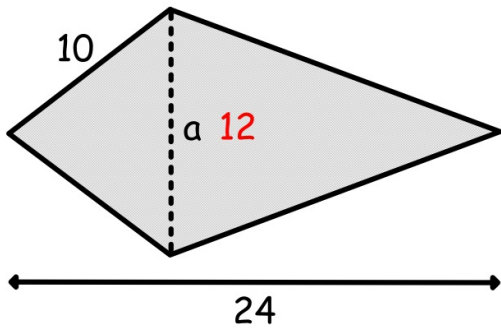


(26) 112

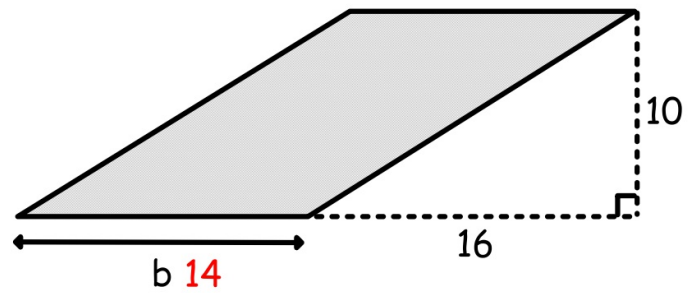


Given the area of each shape, calculate the missing dimension.

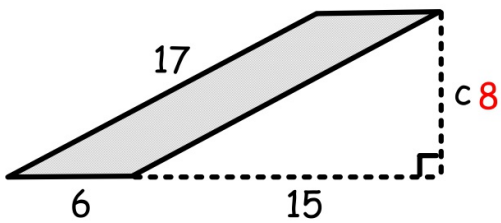
(27) area 144 units^2



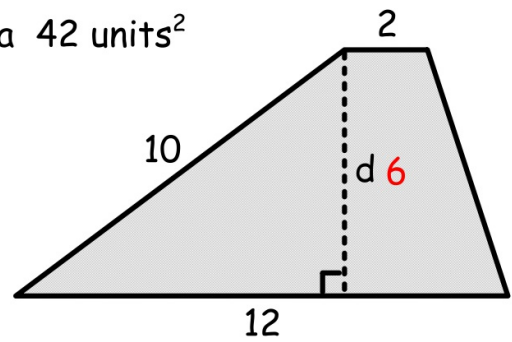
(28) area 140 units^2



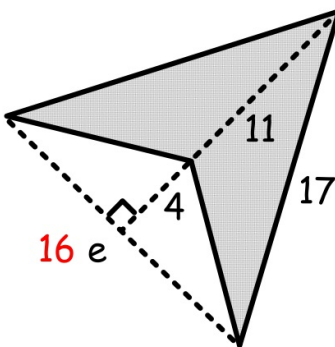
(29) area 48 units^2



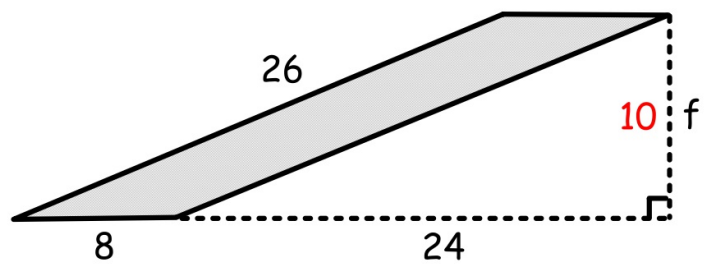
(30) area 42 units^2



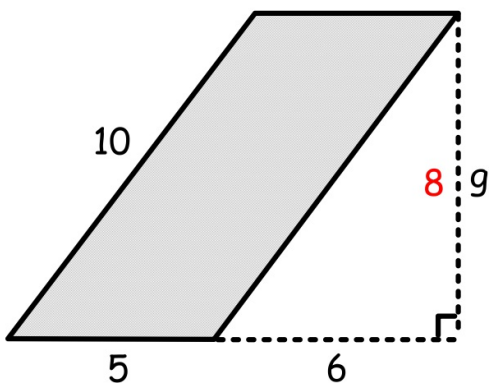
(31) area 88 units^2



(32) area 80 units^2



(33) area 40 units^2



(34) area 64 units^2

