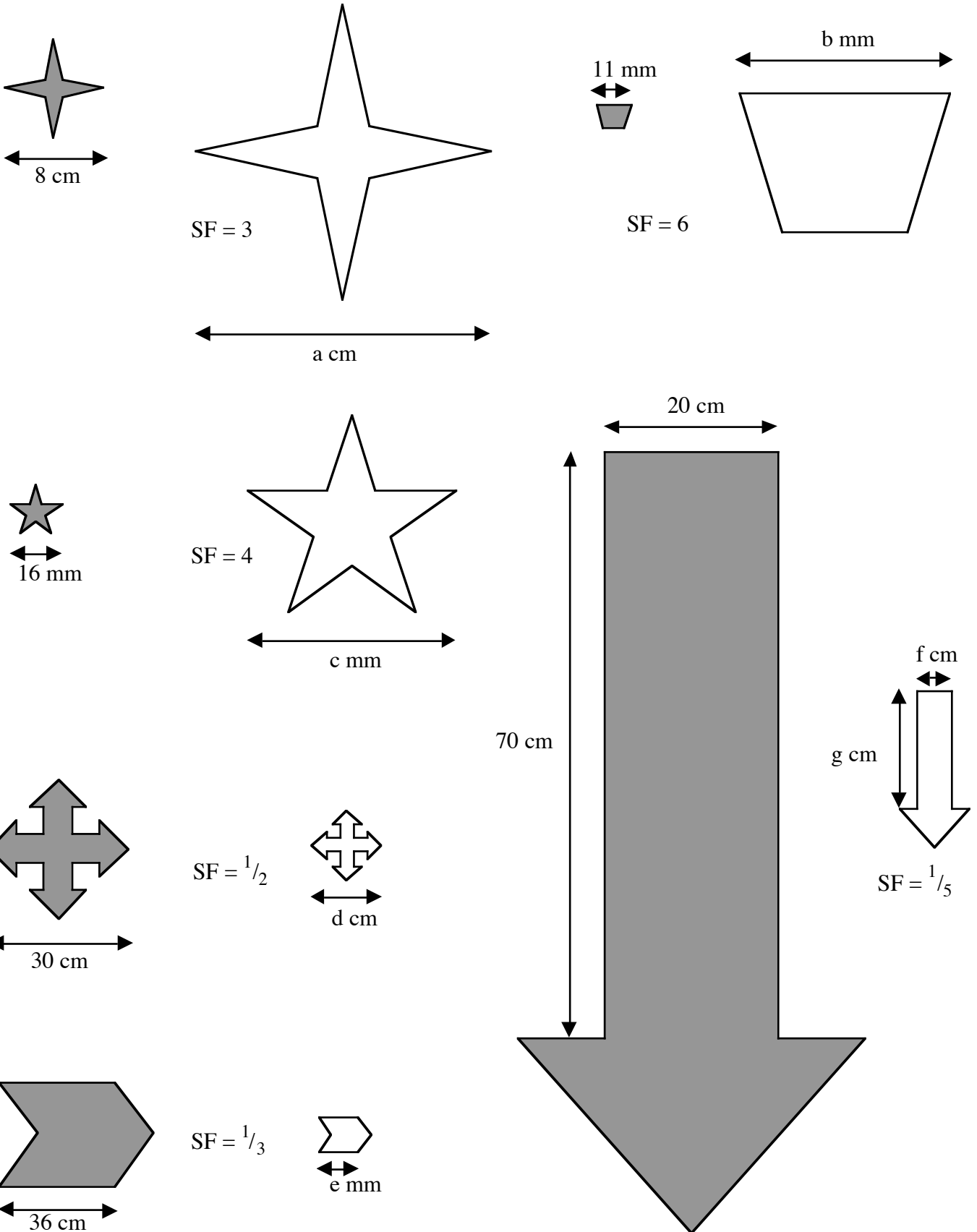


# ENLARGEMENT AND REDUCTION

1. The shaded shape has been enlarged or reduced by a scale factor (SF).  
Find the values of a, b, c, d, e, f and g.



2. The shape on the left has been enlarged or reduced by a scale factor (SF).

- (i) Find the scale factor.
- (ii) Find the values of a, b and c.

