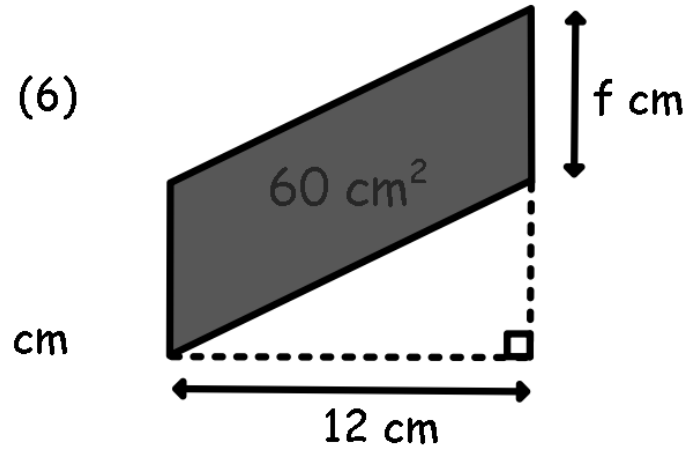
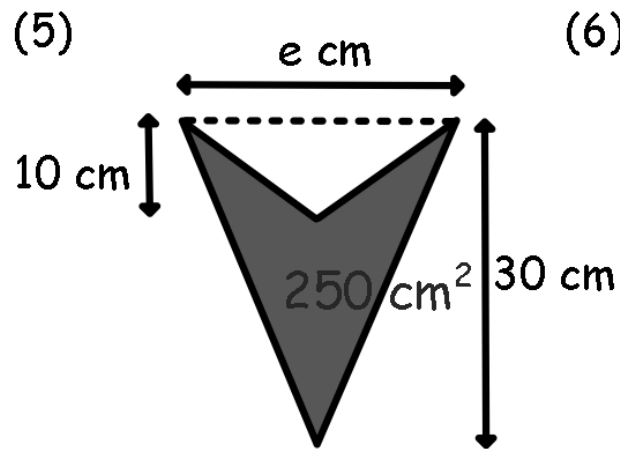
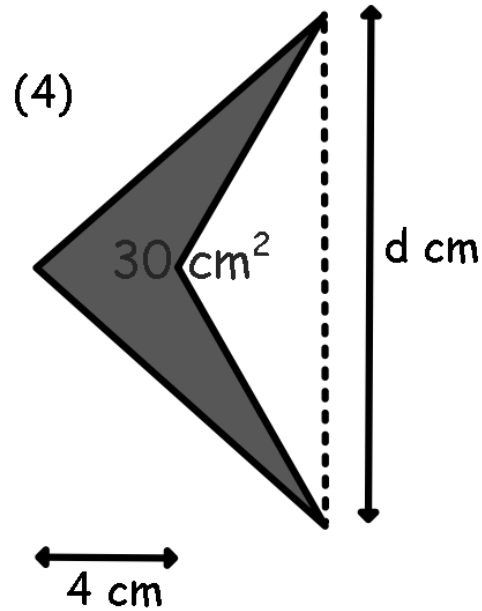
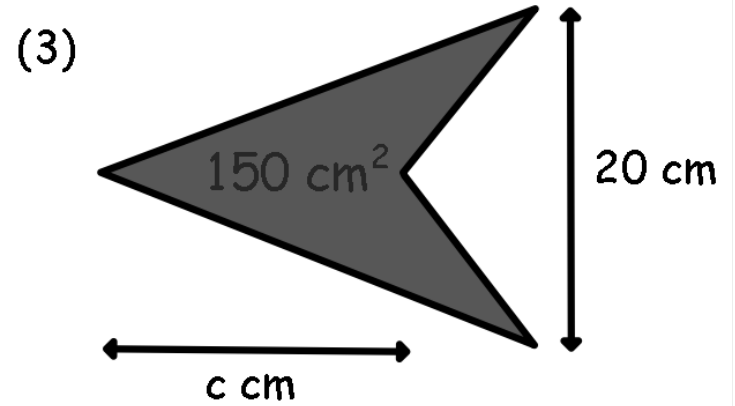
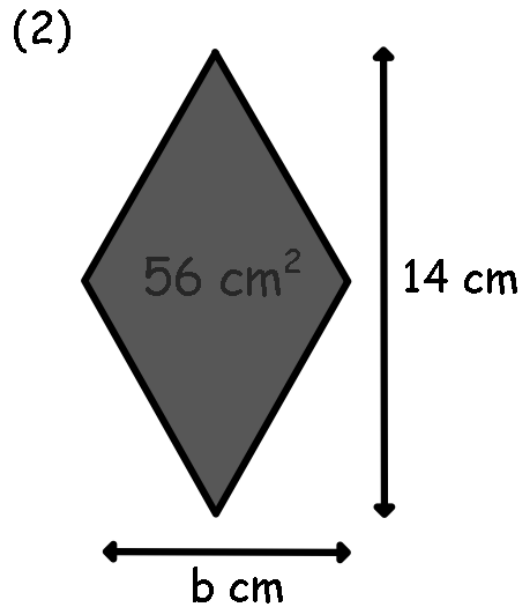
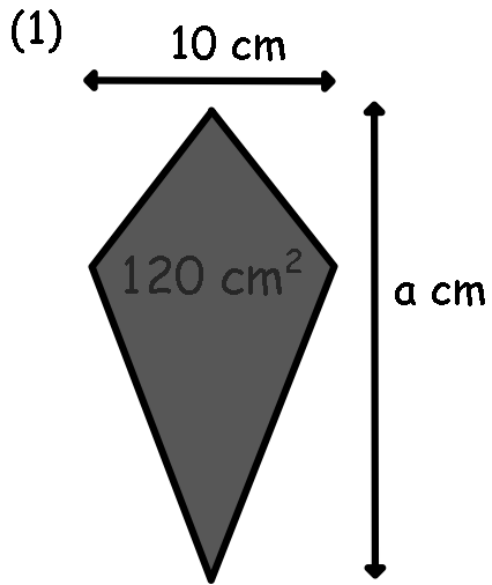


Find the value of a, b, c etc. :



Note that more figures than needed are given.

